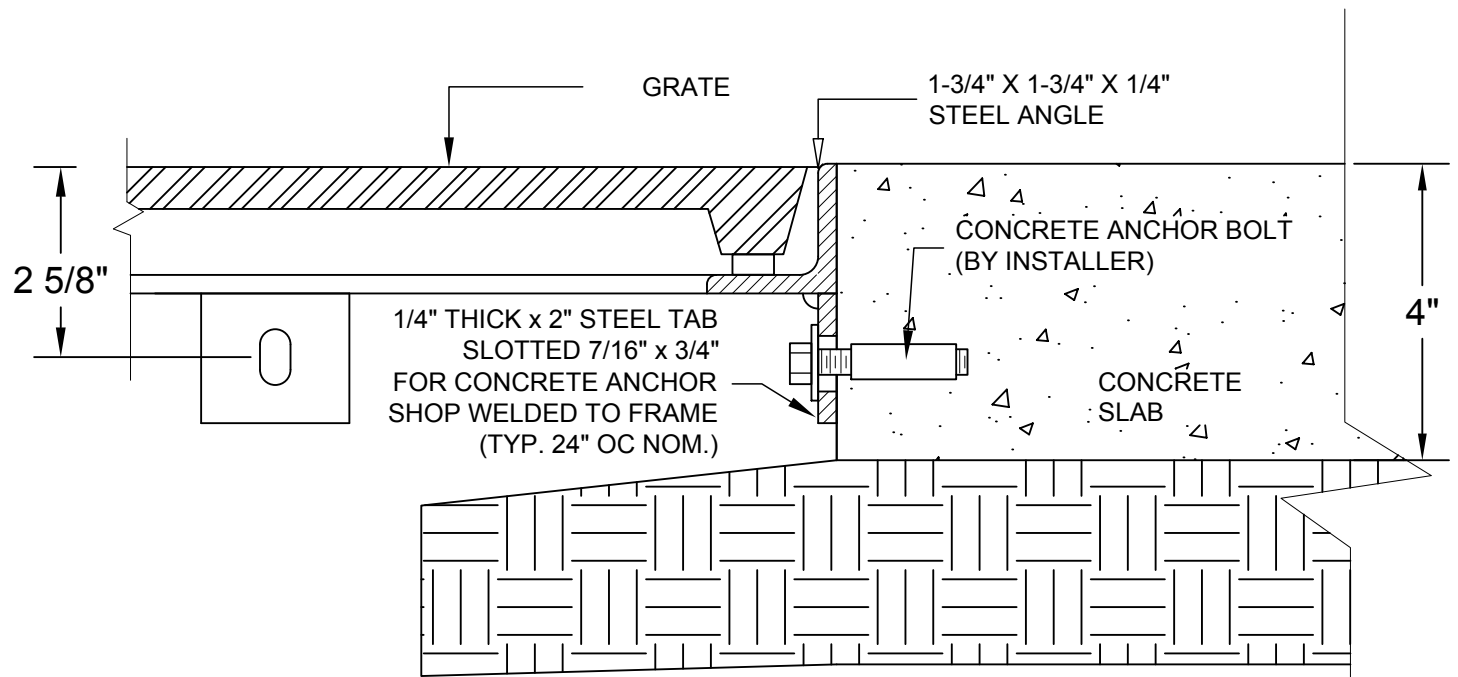


DETAIL #2



1/4" THICK x 2" STEEL TAB
SLOTTED 7/16" x 3/4"
FOR CONCRETE ANCHOR
SHOP WELDED TO FRAME
(TYP. 24" OC NOM.)

1-3/4" X 1-3/4" X 1/4"
STEEL ANGLE

CONCRETE ANCHOR BOLT
(BY INSTALLER)

CONCRETE
SLAB

GRATE

2 5/8"

4"

STANDARD FRAME ORIENTATION (LEG UP)

**SECTION TREE GRATE FRAME
FOR RETROFIT APPLICATIONS IN SAW CUT
CONCRETE**

Bolt tab anchors for use in existing or saw cut concrete openings

Anchors are to be selected and supplied by installer

This drawing embodies a confidential proprietary design of IRONSMITH, INC. Palm Desert, Ca. All design, manufacturing, reproduction, use, sale, and other rights regarding the same are expressly reserved. This drawing is submitted under confidential relationship for a specific purpose and the recipient agrees by accepting this drawing not to supply or disclose any information regarding it to any unauthorized person or to incorporate any special feature peculiar to this design in other projects. The information in this drawing may be covered completely or in part by patents pending.

IRONSMITH
41-701 Corporate Way #3
Palm Desert, CA 92260
(800) 338-4766
(760) 776-5080 Fax